



**Ordering Key**

G D H 200 48 Z D1  
1 2 3 4 5 6 7

- 1: Greegoo brand;
- 2: Switch type: S - small size (1-5A),  
D - single phase, T - three phase;
- 3: Output method, blank - triac output, H - SCR output;
- 4: Rated working current (A);
- 5: Rated working voltage (V) (24:240 V,44:440V,48:480V);
- 6: Control method Z - Zero, R - Random;
- 7: Control voltage D: 3-8V, D1 - 4-16VDC, D3 - 3-32VDC, A2 - 90-250VAC.

**GDH 600 to1000 Amps AC SSR**

Series GDH are power line relays allowing 600 to 1000 Amps. switching power, with Voltage ratings 440 Volts A.C.

GDH series is Dual SCR Power Hybrid technology provides highly efficient thermal management for greatly increased cyclic life.

- High power and high current.
- High performance/low cost circuit design.
- Logic compatible current regulated input.
- 4000 Vrms optical isolation.
- Both "Zero Voltage" & phase controllable "Random Switching" versions.
- High voltage (1200 Vpk) versions for 440 Vrms service.
- LED-indication for control input.
- Control voltage range: 4~16 Vdc, 3~32 Vdc.
- Industry standard "SCR Modules" package.

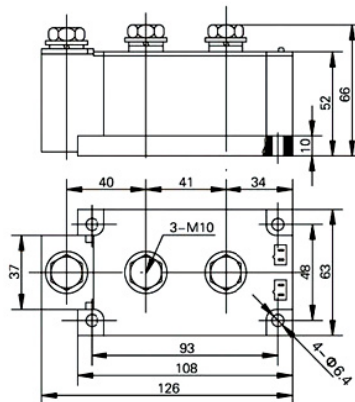
**Type Selection**

- Mounting type
  - Rated operational current
  - Rated operational voltage
  - Switched mode
  - Input Control voltage
- DH: AC Single phase, SCR Output.  
600: 600Amp, 800: 800Amp, 1000: 1000Amp.  
44: 440V  
Z: Zero Voltage, R: Random Switching.  
D3: DC 4~32V

**Selection guide**

Voltage	Control voltage	Rated operational current		
		600 Amp	800 Amp	1000 Amp
440 V <sub>AC</sub> "Zero Voltage"	4~32 Vdc	GDH60044ZD3	GDH80044ZD3	GDH100044ZD3
440 V <sub>AC</sub> "Random Switching"	4~32 Vdc	GDH60044ZD3	GDH80044ZD3	GDH100044ZD3

**Dimension**



**Specifications**

Input Parameter ①	D3
Control Voltage Range	3 to 32Vdc
Input Current (Max.)	13/16 mAdc @ =5V/24V
Must Turn On Voltage	3Vdc
Must Turn Off Voltage	1Vdc
Reverse Voltage (Max.)	32Vdc
Display LED	yes

Output Parameter ②	Units	Specification Limits		
Model No. <b>GDH</b>		600A	800A	1000A
Load Current Range	Arms	0.05 to 600	0.05 to 800	0.05 to 1000
Surge Current, 20 mSec (Max.)	Arms			
Load Voltage Range	Vrms	44 to 440		
SCR Over Voltage	Vpk	≥1000		
Frequency Range	Hz	47 to 63		
Min. Off-state dv/dt	V/μsec	500		
Off State Leakage Current (Max.)	mArms	20	30	35
On-State Voltage Drop (Max.)	Vrms	1.8		
Thermal Resistance, (Rthjc)	°C/w	0.1	0.08	0.07
Turn On Time (Max.)	Cycle	1/2		
Turn Off Time (Max.)	Cycle	1/2		

**General Specifications**

Dielectric (Input/Output)	Vrms	2500	2500	2500	2500
Dielectric (Input-Output/Base)	Vrms	2500	2500	2500	2500
Capacitance	pf	Exterior link			
Ambient Operating Temperature Range		-30°C to +80°C			
Ambient Storage Temperature Range	g	-30°C to +80°C			
Weight: ( typical)		1600g			
Base plate: Copper, nickel-plated					
Case Color: Black					
Mounting Dimensions:	LxWxH	126x63x66 mm			